

Quantum Information with Solid-State Devices

VO 141.246

SS2012

Dr. Johannes Majer

Lecture 3



Motivation

Solid-state qubit
+environment \longrightarrow open quantum system

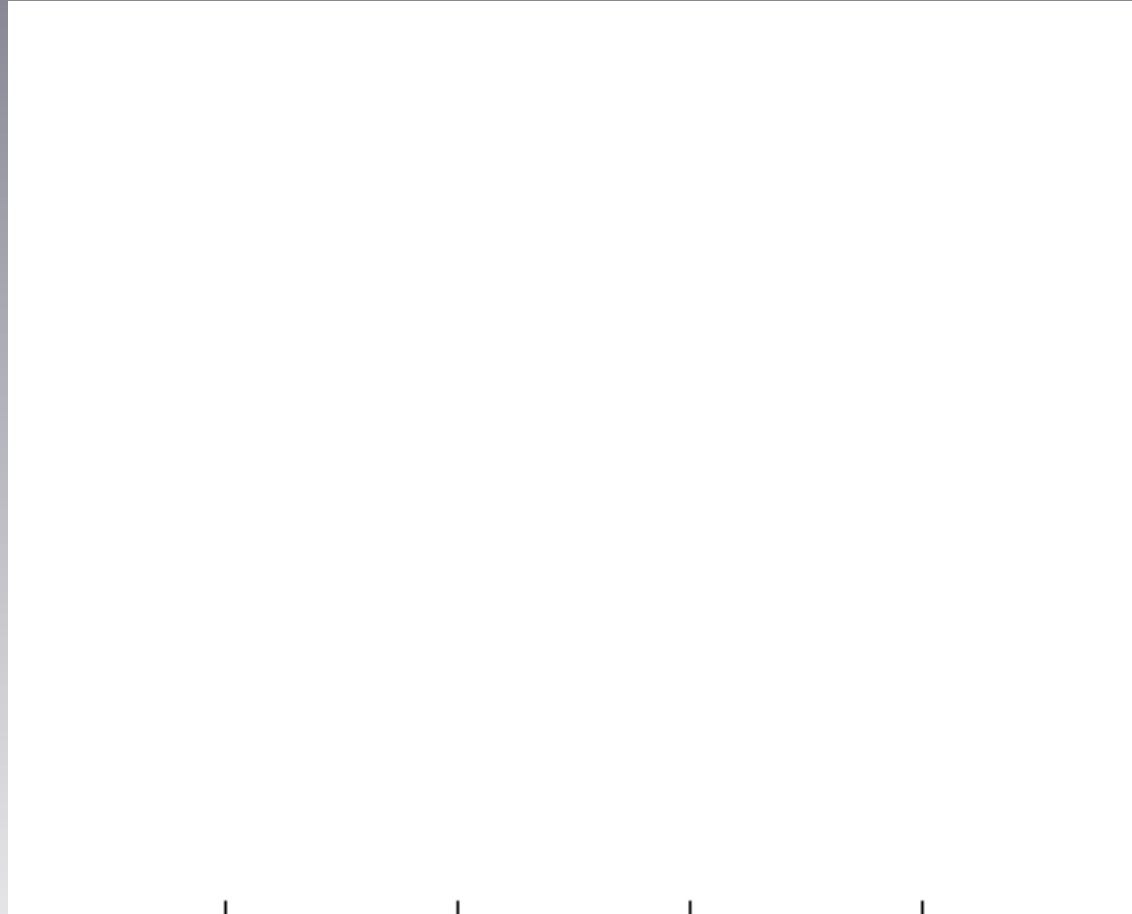
can we describe the qubit with few parameters?

dephasing rate, relaxation time, ...

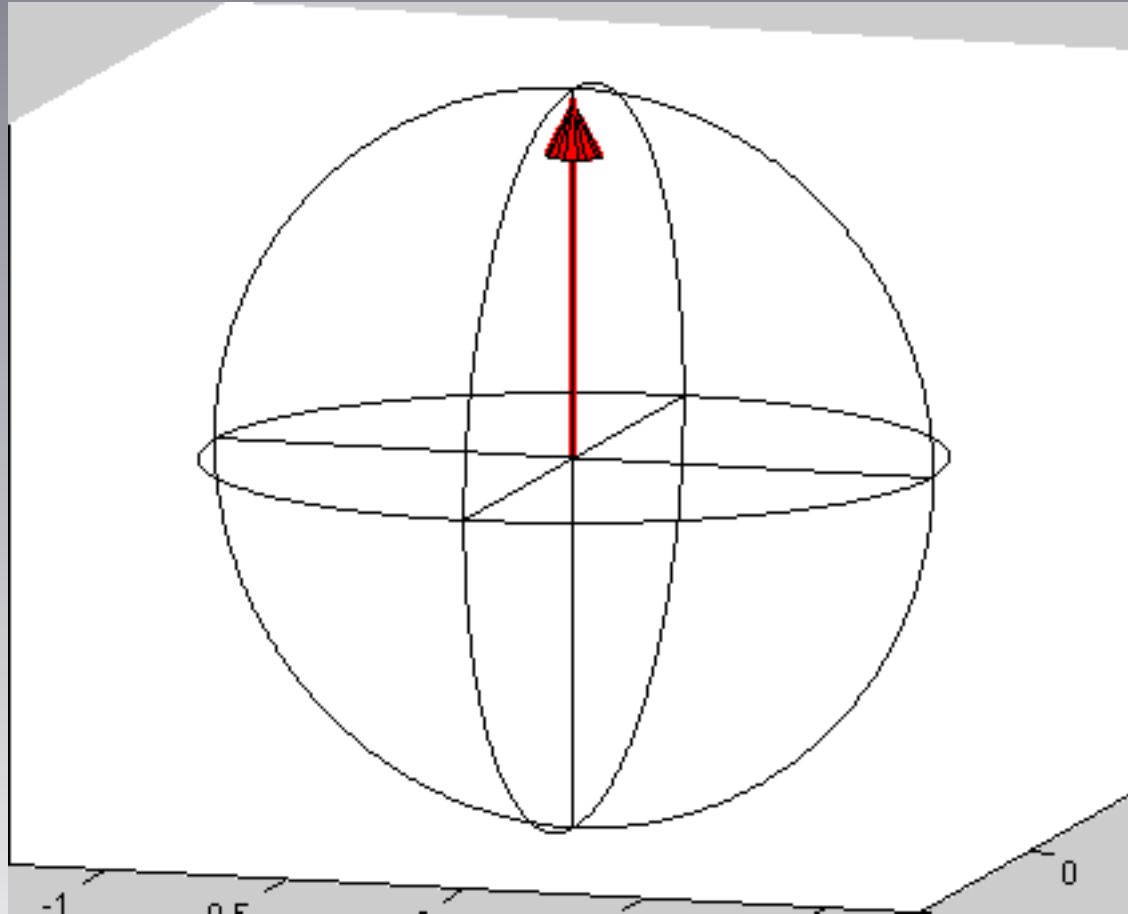
how to measure them?

relaxation measurement, Ramsey, Hahn echo

Relaxation



Relaxation



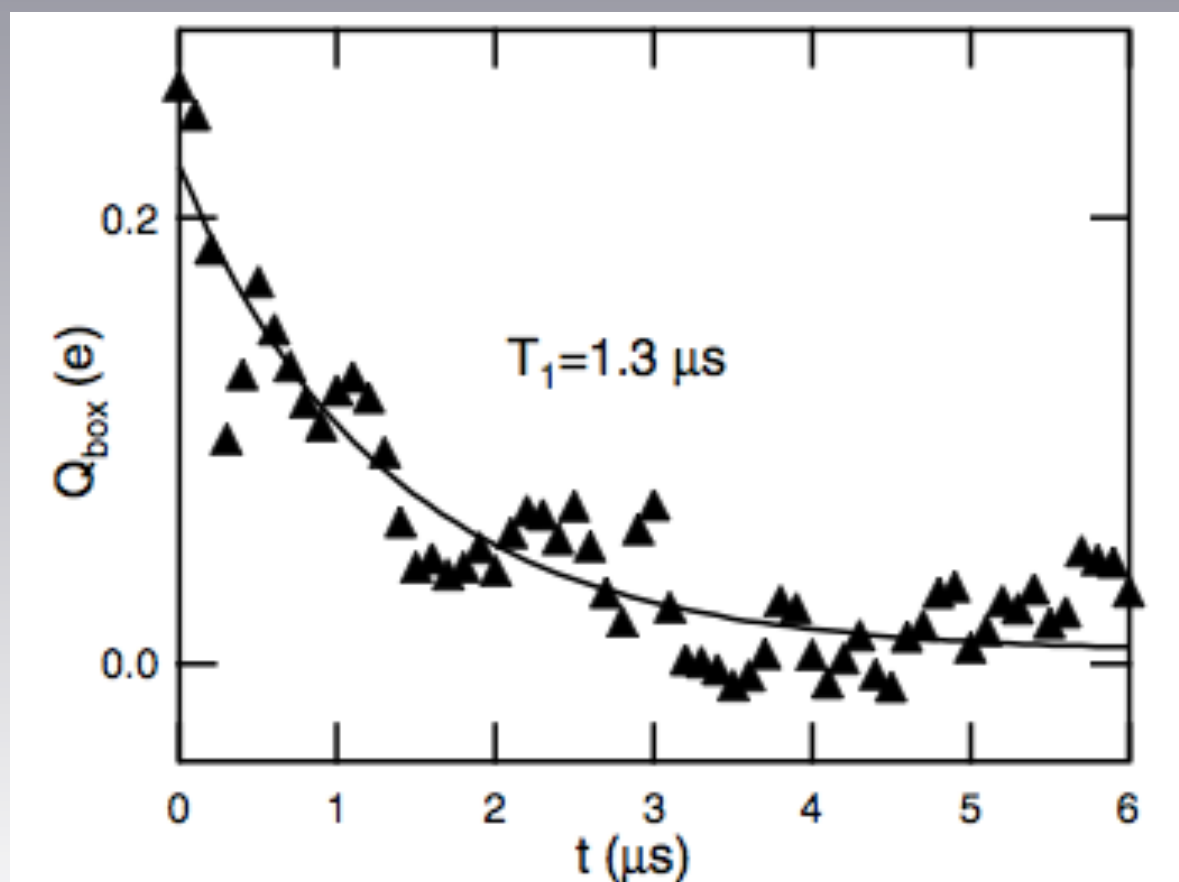
Measurement of the Excited-State Lifetime of a Microelectronic Circuit

K. W. Lehnert,^{1,*} K. Bladh,² L. F. Spietz,¹ D. Gunnarsson,² D. I. Schuster,¹ P. Delsing,² and R. J. Schoelkopf¹

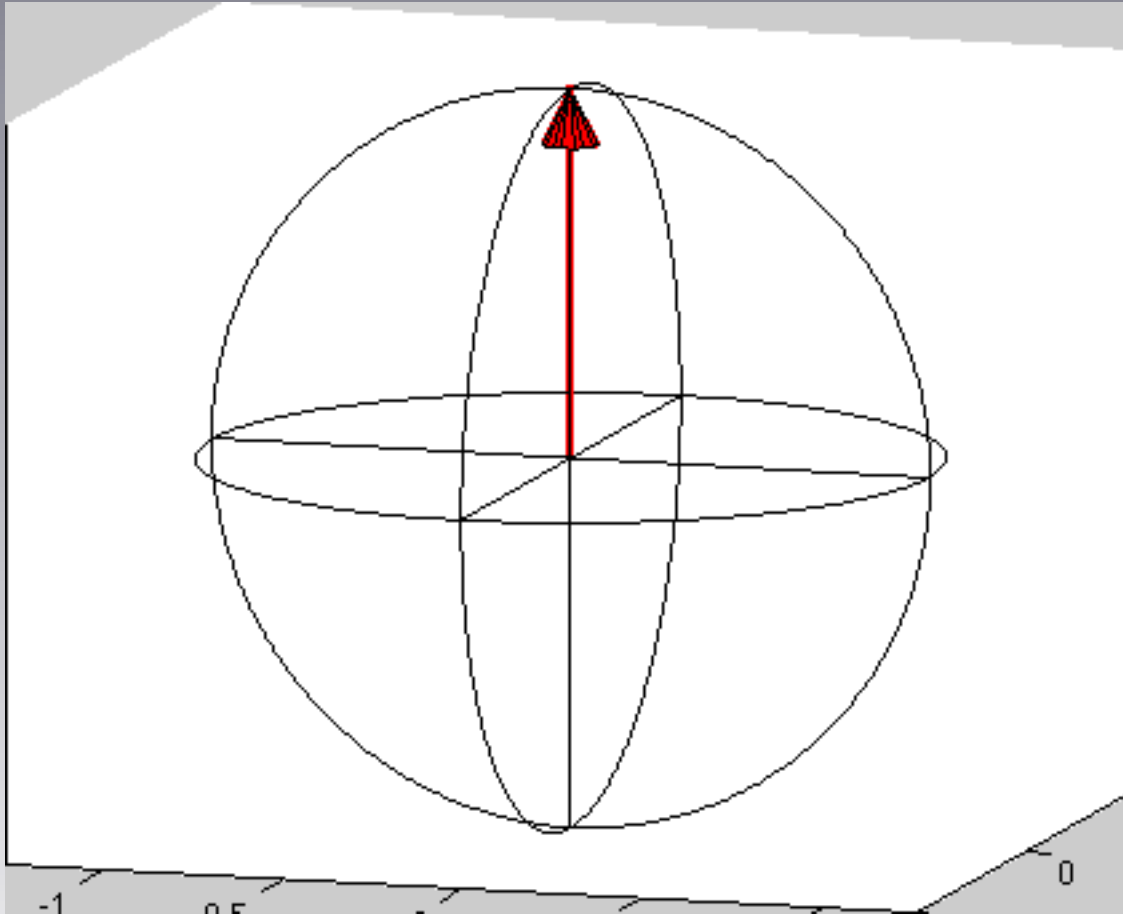
¹*Department of Applied Physics and Physics, Yale University, New Haven, Connecticut 06511*

²*Microtechnology Center at Chalmers MC2, Department of Microelectronics and Nanoscience, Chalmers University of Technology and Göteborg University, SE-412 96, Göteborg, Sweden*

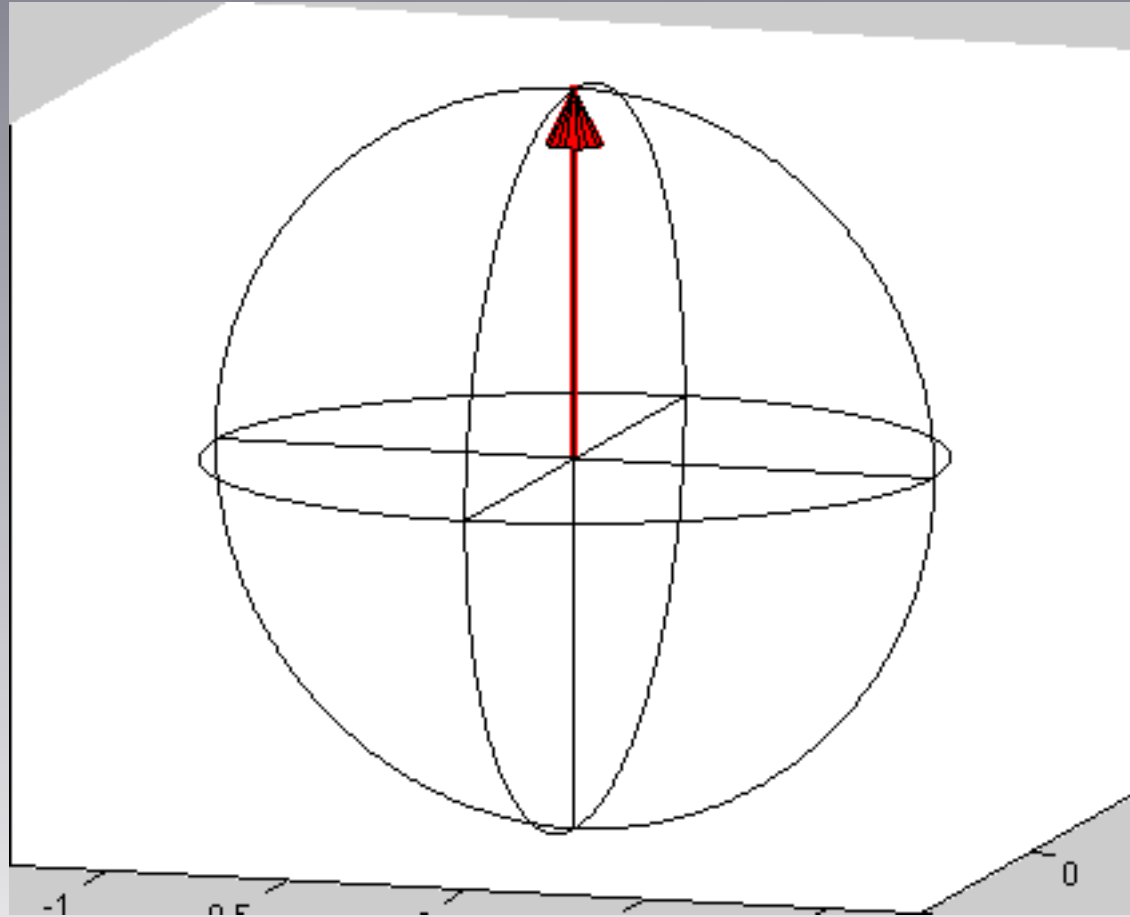
(Received 20 June 2002; published 17 January 2003)



Ramsey Oscillations



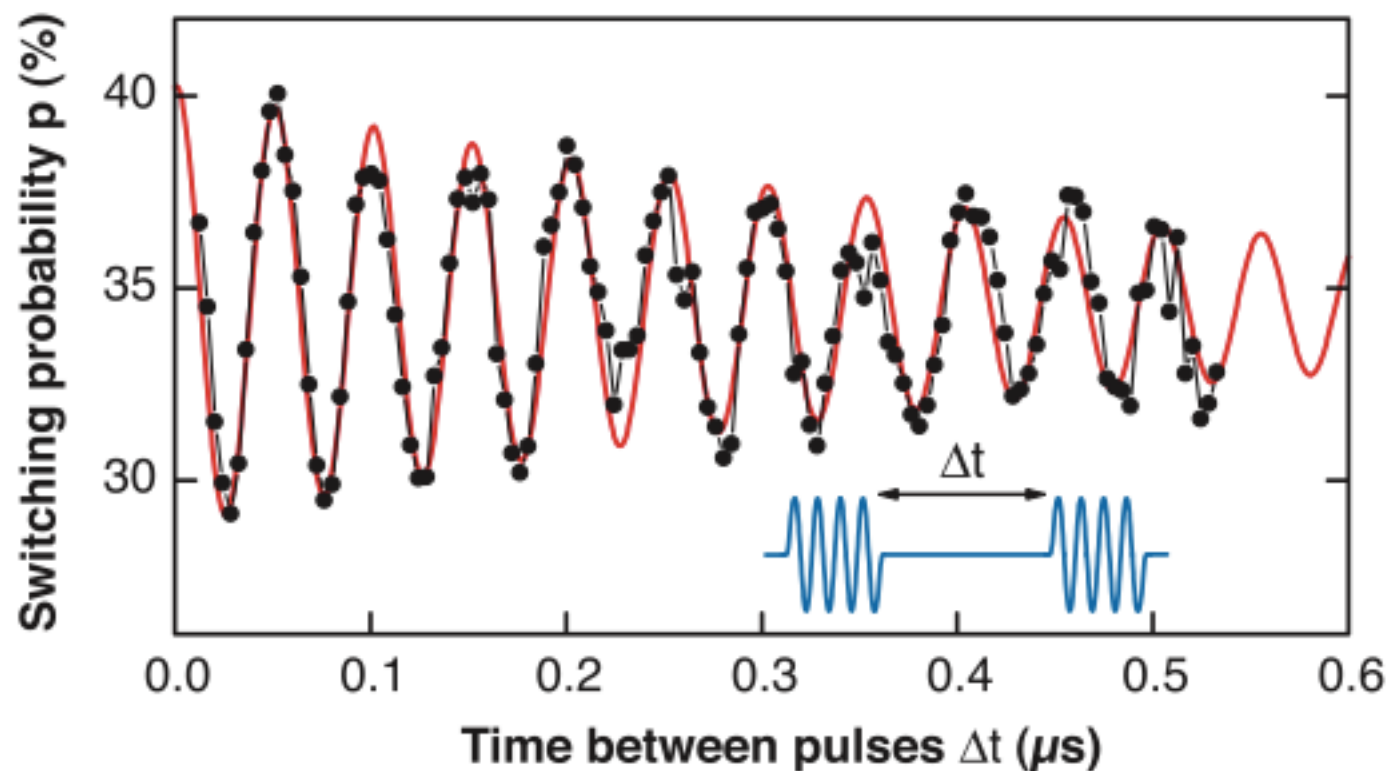
Ramsey Oscillations



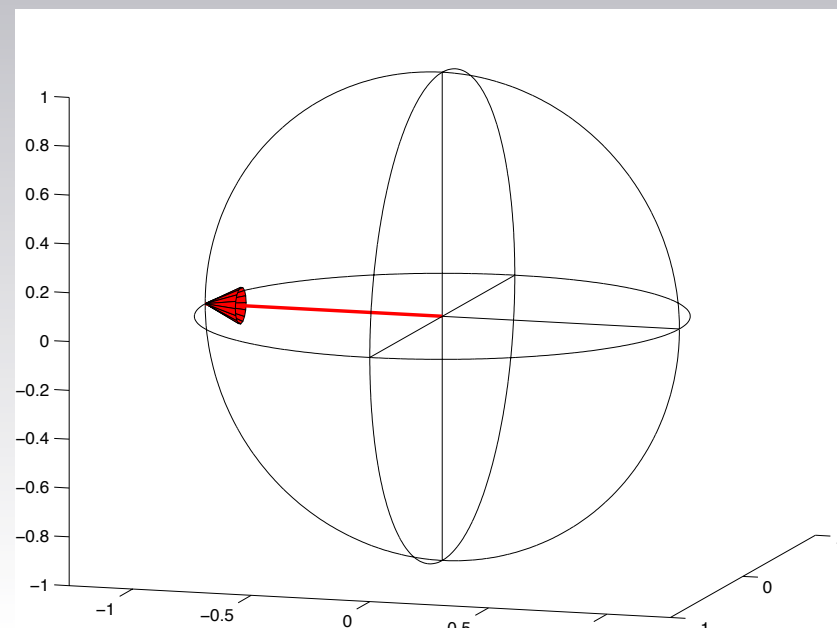
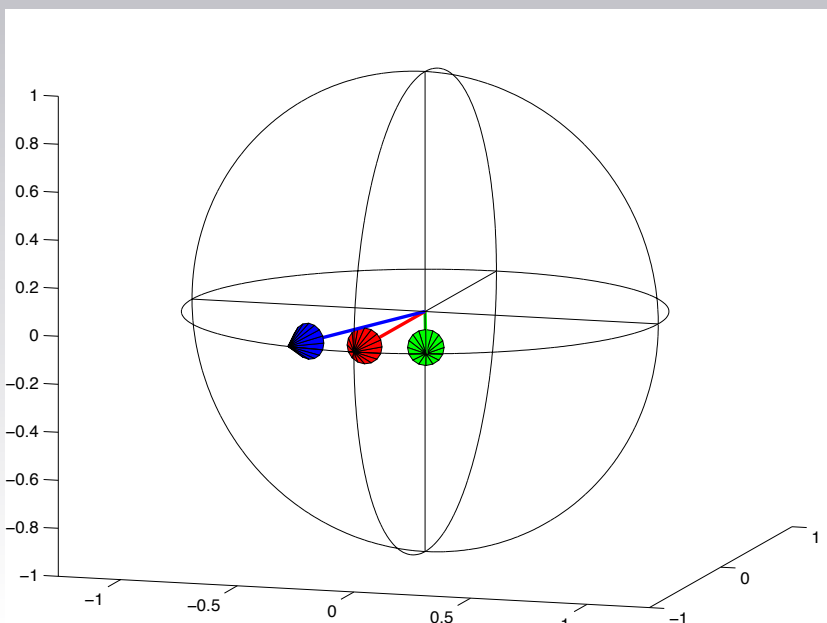
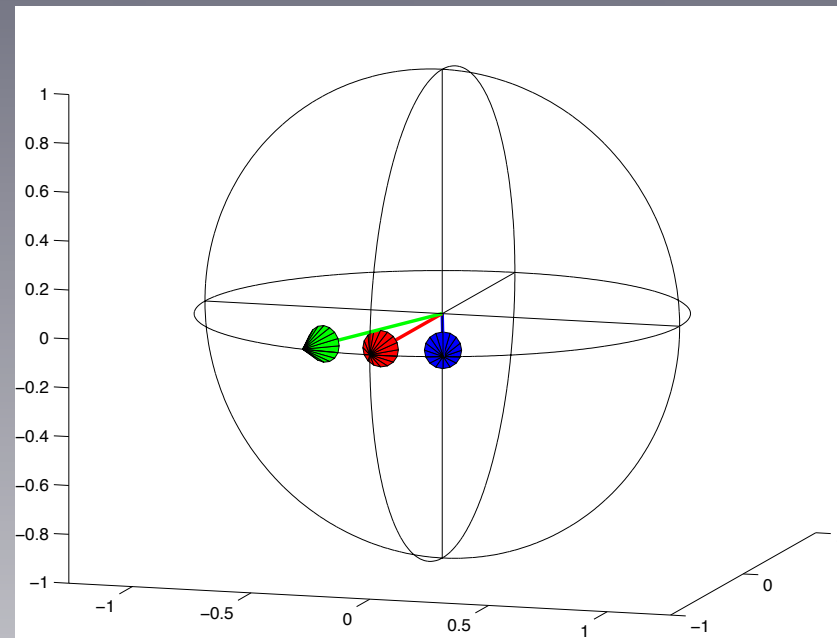
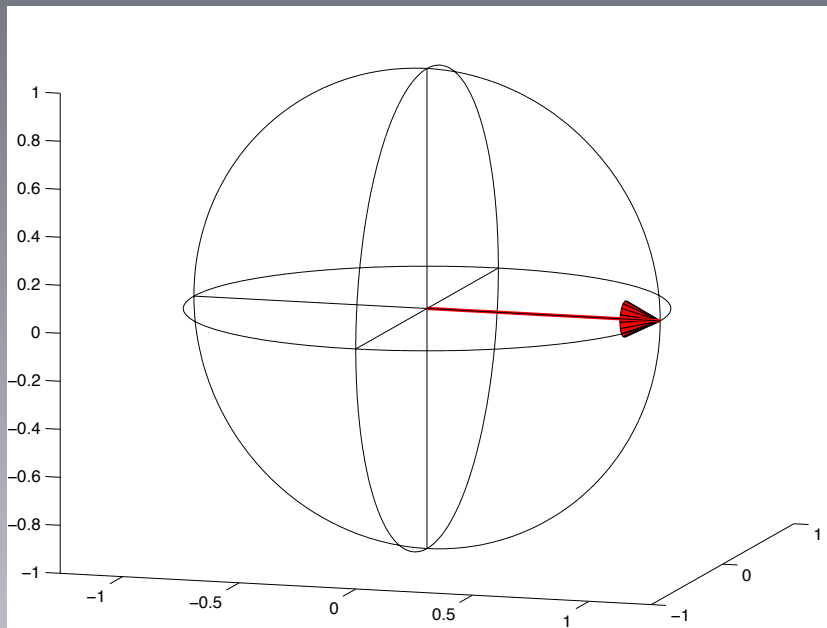
Manipulating the Quantum State of an Electrical Circuit

D. Vion,* A. Aassime, A. Cottet, P. Joyez, H. Pothier,
C. Urbina,† D. Esteve, M. H. Devoret‡

3 MAY 2002 VOL 296 SCIENCE www.sciencemag.org



Hahn Echo



Rabi

